



UZERMAK GIDA END. MAK. SAN. VE TIC. A. Ş.
Food Industry Machinery Manufacturer

Attn 94

COOKER & STRETCHER CS-10 (Laboratory Type)





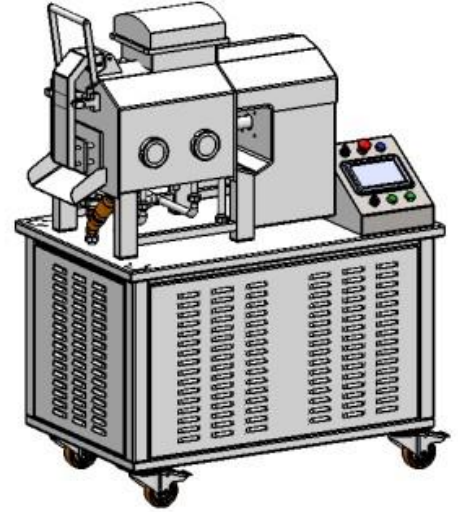
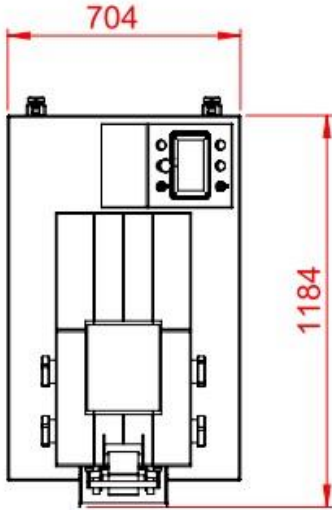
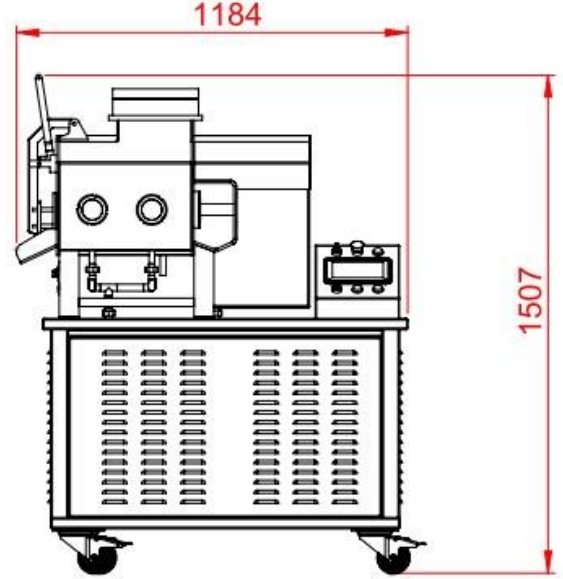
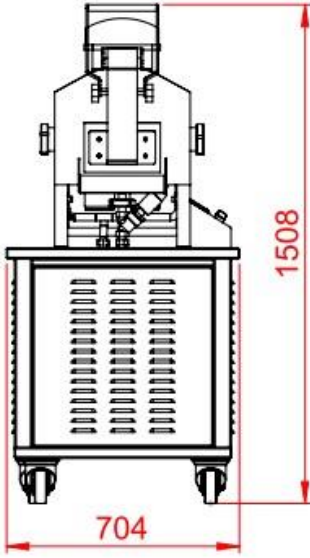
Technical Specifications:

- Made up of AISI304-316 quality stainless steel
- Electrical control panels are made of 304 quality stainless steel.
- Engine and gearbox shrouds are made of 304 stainless steel.
- Teflon or similar plastic materials are convenient to food production.
- All the system is controlled on touch screen by PLC automation.
- "BEIJER" brand of PLC automation devices are used. Inverters are, 1 (one) year unconditional, two (2) year under warranty.
- If the safety cage is opened while the machine is running, the machine will stop automatically. When the safety cage is closed, the program will continue.
- The product feed and product discharge cover' s gasket seals are food grade materials and are manufactured in one piece.
- Controlled by PLC on touch screen automatically.
- Maximum batch capacity is 8-12kg. respectively while the body is 20kg when full charged.
- Inside and outside and spirals of the machine are sand-blasted.
- There are 2 motors and reducers.
- The spirals are running independently of each other up to a maximum of 160 rpm with PLC-controlled speed control devices; directions of movement, rotation speed and time can be adjusted according to the recipe. Independently spirals run (forward-forward, forward-backward, backward-forward, rewind and reverse) and obtain homogenously mixed product and providing an effective mixing.
- 10 different recipes are saved in the memory.
- Spirals are made up of Ø40mm cylinder axle of 304 stainless material, with 304 stainless steel sheet leaves which are 4mm thick.
- The product could be heated directly with 4 nozzles from the sides or indirectly from the wall which is dimple plate jacket system.
- Steam pressure must be between 2.5 to 3.5 bar.
- Steam is filtered up to 1 µ(micron) (Steam filter characteristics; 316L stainless steel, operating temperature -20 0C to 210 0C until the filter surface 494cm²)
- Intermittent steam can be supplied by PLC system. Continuous steam, which can be supplied if desired.
- The machine has integrated steam generator with 25 kg/h capacity. Steam generator uses 15kW of electricity.
- The machine has integrated air compressor, which uses 4kW of electricity.



UZERMAK GIDA END. MAK. SAN. VE TIC. A. Ş.
Food Industry Machinery Manufacturer

Attn 94



UZERMAK FOOD INDUSTRY MACHINERY INDUSTRY AND TRADE LIMITED COMPANY, HAS ARRANGED TRAINING SCHEDULES FOR THE ASSIGNED LABORS WHICH ARE SPECILISED IN WELDING TECHNOLOGIES, ACCORDING TO STANDARD NUMBER CERTIFIED BY **EN 287-1** ACCORDING TO STANDARD.

UZERMAK FOOD INDUSTRY MACHINERY INDUSTRY AND TRADE LIMITED COMPANY, HAS ARRANGED TRAINING SCHEDULES FOR THE LABORS WHO HAS BEEN ASSIGNED THE MANUFACTURING OF ELECTRICAL PANELS AND CERTIFIED BY **EN 60204-1** ACCORDING TO STANDARD.