

Multifunctional Industrial Mixer

Cooker & Cooler & Mixer (CCM-90)

- Mixing
- Cooling
- Dispersing
- Size Reduction
- Emulsifying



Typical Applications:

- Processed Cheese
- All kinds of fresh cheese preparations
- Dressings, sauces
- Baby food
- Confectionery fillings
- Butter preparations
- Almond paste, marzipan
- Mayonnaise, ketchup

Options:

- Vacuum condenser for cooling and dehumidifying
- Charging device
- Discharge pump
- Discharge tank

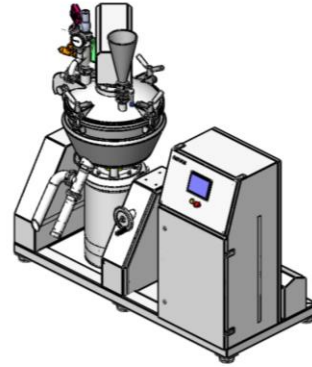
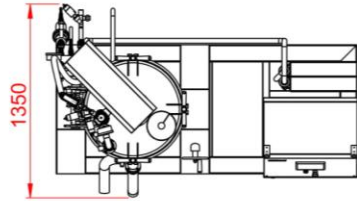
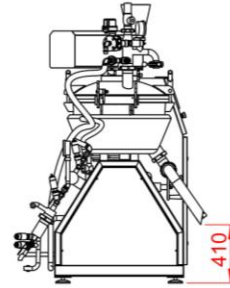
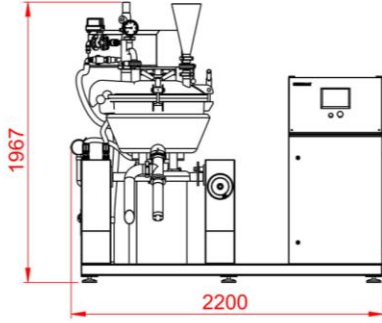
Advantages:

- Short batch times
- Configurable for many different applications
- Complete product emptying (minimal losses)
- Energy efficient
- Very few manual operating procedures
- Easy to integrate in a production line
- Production data can be easily transferred to external systems
- Traceability of historical production data
- PLC controlled process sequences

Standard Execution:

- Frequency controlled main drive included
- Discharge fitting included
- Axial face seal, double active for main motor shaft which is water cooled is included
- PLC and touch panel included





Machine Data:

Bowl content	(l) approx.	90
Batch quantity (product-dependent)	(l) max.	20/60
Net weight of machine	kg.	(according to design) 800
Max. vacuum in bowl	bar (PSI)	- 0.5 (-7.25)
Max. over pressure in the bowl	bar (PSI)	1.5 (21.75)
Min./max. compressed air	bar (PSI)	6-8 (85-114)

Energy requirement

Main motor, frequency controlled	kW	15
Mixing buffer drive n = 24 min ⁻¹	kW	1.5
Installed energy	kW approx.	16.5
Water – double seal	l/min approx.	4
Water requirement for recipe	l/min approx.	60
	Bar	min 4

Connection for water (recipe)	inch	3/4"
Connection for compressed air	inch	3/8"
Voltage	V/Hz	380(400)/50



UZERMAK GIDA ENDUSTRI MAK. SAN. VE TIC. A. Ő.
FOOD INDUSTRY MACHINERY MANUFACTURER

Attn 101

**MULTIFUNCTIONAL INDUSTRIAL MIXER
COOKER & COOLER & MIXER (CCM-90)**





Technical Specifications

- Made from AISI304 stainless steel
- Teflon or similar plastic food grade materials are used.
- Maximum capacity of the bowl is 90lt. Product processing capacity is 60lt.
- Maximum 60lt product processed in 4-6 minutes.
- Dimensions in mm (Length x Width x Height): 2200 x 1280 x 2000 (+/-35).
- Total weight, 800kg, respectively.
- Working ambient temperature should be between 12°C and 35°C.
- Operating voltage 400V, the maximum frequency is 50Hz, respectively.
- Cooling water can be applied from the wall.
- Water pressure should be between 3-6 bars.
- Air pressure supplied to the machine is 10bar. Air pressure used for pneumatic devices should be between 6-8 bars.
- The speed of the bottom motor varies from 0 to 3000rpm while could be regulated with inverter control on the touch screen upon recipe.
- On the touch screen; you may set the amount of process water which will be let it the bowl through flowmeter and the speed of the bottom motor, aslo 10 different recipes may be saved upon production.
- The motor of knives is 15 kW (31,2 A), motor of scrapers is 1,5 kW (3,4 A); Maximum power consumption for a total of approximately 16.5 kW.
- The two blades are hardened steel material which the origin of Germany.



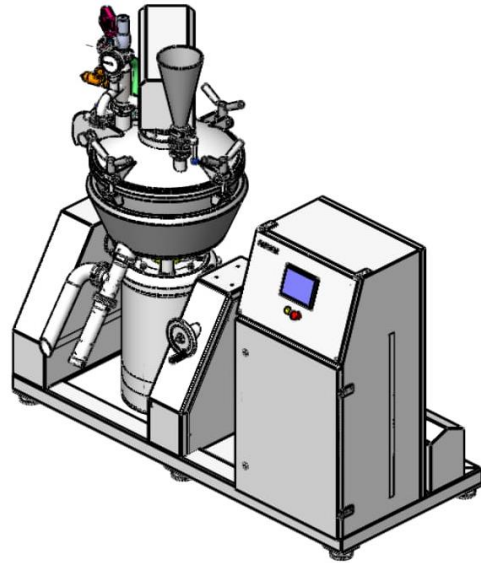
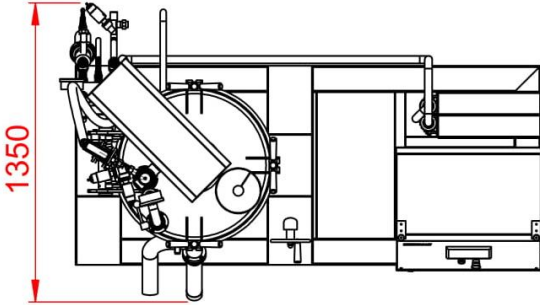
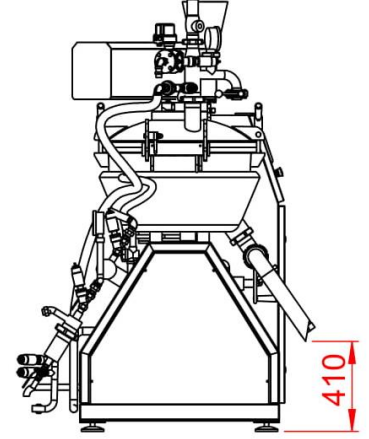
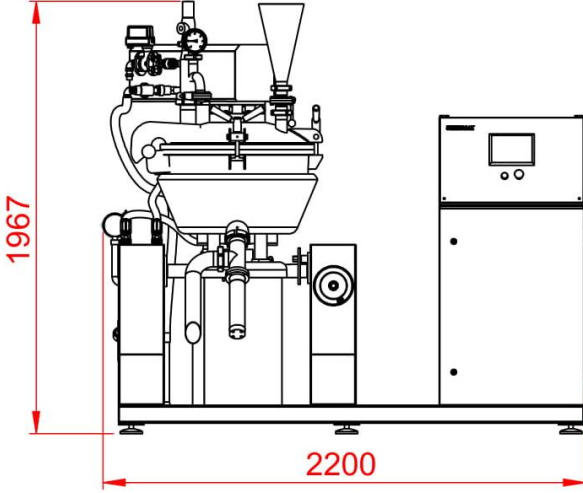
- The product will be discharged with pneumatic valve.
- Water hose are made up of teflon which are dressed with spiral stainless-steel bellows.
- "KROHNE" brand flowmeter is used which could be controlled on the touch screen by PLC system.





UZERMAK GIDA ENDUSTRI MAK. SAN. VE TIC. A. Ş.
FOOD INDUSTRY MACHINERY MANUFACTURER

Attn 101



UZERMAK FOOD INDUSTRY MACHINERY INDUSTRY AND TRADE LIMITED COMPANY, HAS ARRANGED TRAINING SCHEDULES FOR THE ASSIGNED LABORS WHICH ARE SPECILISED IN WELDING TECHNOLOGIES, ACCORDING TO STANDARD NUMBER CERTIFIED BY **EN 287-1** ACCORDING TO STANDARD.

UZERMAK FOOD INDUSTRY MACHINERY INDUSTRY AND TRADE LIMITED COMPANY, HAS ARRANGED TRAINING SCHEDULES FOR THE LABORS WHO HAS BEEN ASSIGNED THE MANUFACTURING OF ELECTRICAL PANELS AND CERTIFIED BY **EN 60204-1** ACCORDING TO STANDARD.



UZERMAK GIDA ENDUSTRI MAK. SAN. VE TIC. A. Ş.
FOOD INDUSTRY MACHINERY MANUFACTURER

Attn 101

SOME OF OUR REFERENCES

Company name	Company address	Company website	Equipment supplied	Equipment commissioned date
ERGÜVEN SÜT MAMÜLLERİ GIDA TURİZM VE SANAYİ TİCARET LTD. ŞTİ.	TURKEY	www.erguvenusut.com.tr	CCM-90	
BİLTAR SÜT GIDA .TİC.A.Ş.	TURKEY	www.biltarsut.com	CCM-90	
ÖNAYSAN SÜT ÜRÜNLERİ ÜRETİMİ	TURKEY	-	CCM-90	
GÜNEY SÜT SAN. VE GIDA MADDELERİ A.Ş.	TURKEY	www.cebecisut.com.tr	CCM-90	
DM GIDA MAD.PAZ.SAN.VE TİC.LTD.ŞTİ.	TURKEY	www.dmtrade.com.tr	CCM-90	
YÖRÜKSÜT ÜRÜNLERİ SAN. TIC. LTD. ŞTİ.	TURKEY	www.yoruksut.com.tr	CCM-90	
BAKRAÇ SÜT OĞRAŞ TOPRAK VE GIDA SAN.TİC.LTD.ŞTİ.	TURKEY	www.bakrac.com.tr	CCM-90	
ÜNAL ÇİFTLİĞİ	TURKEY	www.unalciftligi.com	CCM-90	
ÇOBANOĞULLARI GIDA SAN TİC LTD ŞTİ	TURKEY	www.cobanoqullari.com	CCM-90	
GC GIDA SAN.VE TIC. A.Ş.	TURKEY	www.gcgida.com.tr	CCM-90	
AKOVA SÜT VE GIDA MAMÜLLERİ SAN .VE TİC. A.Ş.	TURKEY	www.akova.com	CCM-90	
FET-KAR TURİZM TİC. GIDA İNŞ. NAK. SAN. İTH. İHR. LTD ŞTİ.	TURKEY	www.mekesut.com	CCM-90	
ARPAÇI SÜT GIDA MAMÜLLERİ SAN. VE TİC.LTD.ŞTİ.	TURKEY	www.arpacisut.com.tr	CCM-90	
HALWANI BROS	SAUDI ARABIA	www.halwani.com.sa	CCM-90	
BÜYÜK AYGIN SÜT ÜRÜNLERİ SAN.GIDA VE İHT.MAD.TİC.LTD.ŞTİ.	TURKEY	www.buyukaygin.com.tr	CCM-90	24.01.2010
AYNES GIDA SAN.TİC.A.Ş.	TURKEY	www.aynes.com.tr	CCM-90	04.05.2010
TAHSİLDAROĞLU SÜT ÜRÜNLERİ.SAN.TİC.A.Ş.	TURKEY	www.tahsildaroglu.com.tr	CCM-90	07.07.2010
HALİL KOYUNCUOĞLU SÜT MAMÜLLERİ.GID.SAN.ŞTİ.	TURKEY	www.halilkoyuncuoglusut.com	CCM-90	30.12.2010
MBH GIDA SAN.VE TİC.LTD.ŞTİ.	TURKEY	www.mbh-gida.com	CCM-90 – 2 PIECE	24.04.2011
CEBEL SÜT ÜRÜNLERİ VE GIDA İMALAT.SAN.TİC.A.Ş.	TURKEY	www.baysansutmakineleri.com.tr	CCM-90	04.05.2011
MEYSÜT / MEYVE SÜT ve GIDA MAMÜLLERİ SANAYİ TİCARET A.Ş.	TURKEY	www.meysut.com.tr	CCM-90	09.07.2011
BAHAROT LEZZET KARIŞIMLARI VE GIDA MAD. SAN.TİC.LTD.	TURKEY	www.baharot.com.tr	CCM-90	23.12.2011
TANOVA SÜT MAMÜLLERİ SAN TİC LTD ŞTİ	TURKEY	www.tanova.com.tr	CCM-90	25.01.2012
TÜRER.A.Ş.	TURKEY	www.turer.com.tr	CCM-90	25.02.2012
BALKAN SÜT ÜRÜNLERİ	TURKEY	www.balkansut.com.tr	CCM-90	24.05.2012
AYTAÇ AKYUDUM GIDA SAN TİC AŞ	TURKEY	www.aytac.com.tr	CCM-90	14.12.2012
MOOVA GIDA SAN. VE TİC. A.Ş	TURKEY	www.moova.com.tr	CCM-90	28.03.2013
NARİN SÜT VE SÜT ÜRÜNLERİ	TURKEY	-	CCM-90	26.02.2014
SÜTMAN SÜT ÜRÜNLERİ A.Ş.	TURKEY	www.sutman.com.tr	CCM-90	19.03.2014
PASTÖR ENDUSTRI MAKİNALARI SAN.VE TIC.A.S.	TURKEY	www.pastormakina.com	CCM-90	20.04.2014
AL AMANI FOOD INDUSTRIES COMPANY	U.A.E	www.alamanifoods.com	CCM-90	05.05.2014
MD FERŞAH GIDA İNŞAAT A.Ş.	TURKEY	-	CCM-90	22.07.2014
DOĞ KAZAN VE MAKİNA SAN.&TİC. LTD.ŞTİ.	TURKEY	www.dogkazan.com.tr	CCM-90	18.09.2014
ÖRENOĞLU SÜT VE SÜT ÜRÜNLERİ	TURKEY	www.orenoglu.com.tr	CCM-90	19.09.2014
FARAGALLA FOOD INDUSTRIES	EGYPT	www.faraqalla.com	CCM-90	18.11.2014
TEK SÜT MAMÜLLERİ SAN.TİC.A.Ş.	TURKEY	www.teksut.com	CCM-90	17.03.2015
STP GIDA SAN. VE TIC. A.Ş.	TURKEY	www.ozsut.com	CCM-90 – 2 PIECE	09.04.2015
"KLEGEN"SH.P.K.	ALBANIA	www.klegen.com	CCM-90	26.05.2015
EKİCİLER SÜT GIDA TARIM HAYVAN SAN.TİC.A.Ş	TURKEY	www.ekicipeynir.com	CCM-90	06.08.2015
GEMAK GIDA ENDÜSTRİ MAKİNALARI VE TİC. LTD. ŞTİ.	TURKEY	www.gemak.com.tr	CCM-90	23.01.2016
SALOUM ARGO-ALİMENTAİRE	SENEGAL	-	CCM-90	08.03.2016



UZERMAK GIDA ENDUSTRI MAK. SAN. VE TIC. A. Ş.
FOOD INDUSTRY MACHINERY MANUFACTURER

Attn 101

ENKA SÜT VE GIDA MAMÜLLERİ SAN.TİC.A.Ş.	TURKEY	www.enkasut.com.tr	CCM-90	19.04.2016
EURL CHEESE ART	ALGERIA	-	CCM-90	03.10.2016
KEFALOS QUALITY DAIRY PRODUCE	ZIMBABWE	www.kefalos.co.zw	CCM-90	12.11.2016
EURL CHAMPION	ALGERIA	-	CCM-90	02.12.2016
EDPOL FOOD & INNOVATION	POLAND	www.edpol.net.pl	CCM-90	06.12.2016
WHITE STEEL	TURKEY	www.whitesteel.com.tr	CCM-90	19.01.2017
FARMBITE FOODS	INDIA	www.farmbitefoods.com	CCM-90	24.04.2017
AL-NOUAH FOR FOOD MANUFACTURING AND TRADING CO.LTD.	JORDAN	www.alnouah.com	CCM-90	14.06.2017
INTERNATIONAL HEALTHY FOOD Co.	JORDAN	www.helthyfood-jo.com	CCM-90	11.09.2017
KWALITY MILK FOODS LTD.	INDIA	www.kwalitymilkfoods.com	CCM-90	19.09.2017
AJANTA DAIRY	INDIA	www.ajantadairy.com	CCM-90	25.10.2017
MOONLIGHT NOOR S.A.R.L	LEBANON	www.moonlight.com.lb	CCM-90	18.12.2017
UNITED NATIONAL DAIRY	SAUDI ARABIA	www.und-ksa.com	CCM-90	26.12.2017
CHOUDHERY CHEESE BAZAR PVT. LTD.	INDIA	www.cheesebazar.com	CCM-90	28.12.2017
YASHAR INDUSTRY" Ltd	RUSSIA	www.yasarmakine.com.tr	CCM-90	08.01.2018
NAUNIDH FOODS PVT LTD	INDIA	www.indiamart.com/hilfcheese/	CCM-90	09.01.2018
ACHHA FOODS PVT. LTD.	PAKISTAN	www.achhafoods.achhadairies.com/about	CCM-90	09.07.2018
MAMY SAVEURS	ALGERIA	www.mamysaveurs.com	CCM-90	05.11.2018
GATEWAYS INTERNATIONAL	PAKISTAN		CCM-90	15.05.2019
MAWADA FOR FOOD INDUSTRIES	YEMEN	http://mawadagroup.com/?lang=en	CCM-90	24.05.2019



MULTIFUNCTIONAL INDUSTRIAL MIXER CCM-90 WITH OPTIONAL AUXILIARY EQUIPMENT
(LINE OPTION)